

DIN24155 Annex 2

July 1966 Issue

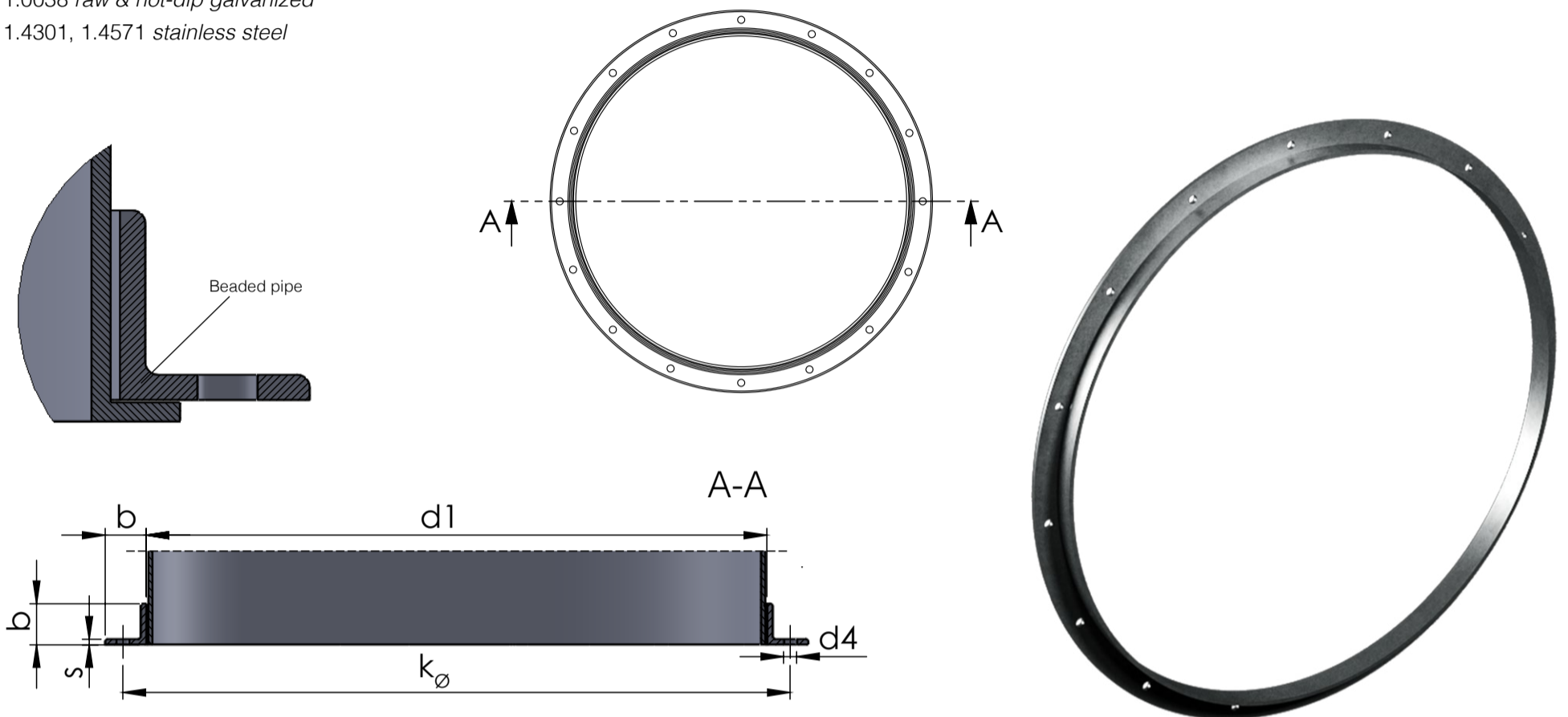
Angle flanges for HVAC System



Material

1.0038 raw & hot-dip galvanized

1.4301, 1.4571 stainless steel



DN nominal width	Inner diameter d1	Permissible tolerance	Material dimensions (b x s)	Perforation pitch k_{ϕ}	Number of perforations	Perforation diameter d4	Weight
140	146	1,5	25 x 25 x 3	176	6	7	0,66
150	155	1,5	25 x 25 x 3	185	6	7	0,63
160	164	1,5	25 x 25 x 3	194	6	7	0,66
180	183	1,5	25 x 25 x 3	213	6	7	0,72
200	205	1,5	25 x 25 x 3	235	6	7	0,8
224	229	1,5	25 x 25 x 3	259	6	7	0,88
250	256	1,5	25 x 25 x 3	286	6	7	0,98
280	288	1,5	30 x 30 x 4	322	8	9,5	1,76
300	305	1,5	30 x 30 x 4	339	8	9,5	1,85
315	322	1,5	30 x 30 x 4	356	8	9,5	1,94
350	355	1,5	30 x 30 x 4	394	8	9,5	2,13
355	361	1,5	30 x 30 x 4	395	8	9,5	2,16
400	404	1,5	30 x 30 x 4	438	12	9,5	2,4
450	453	1,5	30 x 30 x 4	487	12	9,5	2,67
500	507	1,5	30 x 30 x 4	541	12	9,5	2,97
560	569	2	35 x 35 x 4	605	16	11,5	3,93
600	605	2	35 x 35 x 4	641	16	11,5	4,147
630	638	2	35 x 35 x 4	674	16	11,5	4,38
710	715	2	35 x 35 x 4	751	16	11,5	4,88
800	801	2	35 x 35 x 4	837	24	11,5	5,44
900	898	2	35 x 35 x 4	934	24	11,5	6,07
1000	1007	2	35 x 35 x 4	1043	24	11,5	6,78
1120	1130	2	40 x 40 x 4	1174	24	11,5	8,77
1250	1267	2	40 x 40 x 4	1311	24	11,5	9,8
1400	1421	2	40 x 40 x 4	1465	24	11,5	10,95
1600	1593	2	40 x 40 x 4	1637	32	11,5	12,24
1800	1786	2	40 x 40 x 4	1830	32	11,5	13,69
2000	2003	2	40 x 40 x 4	2047	32	11,5	15,32

Prices for selected materials, selected sizes and factory standards are available on request.

Custom and non-standard factory sizes available on request.

Minimum order value: Net goods value of 40.00 euros. The prices do not include VAT, packaging and forwarding. All dimensions in mm. All weights in kg. Subject to errors and alterations.

We would be pleased to advise you on your individual terms and designs. Just give us a call.

✉ info@eskate.de ☎ +49 5734 66 66 6

DIN24155 Annex 3

July 1966 Issue

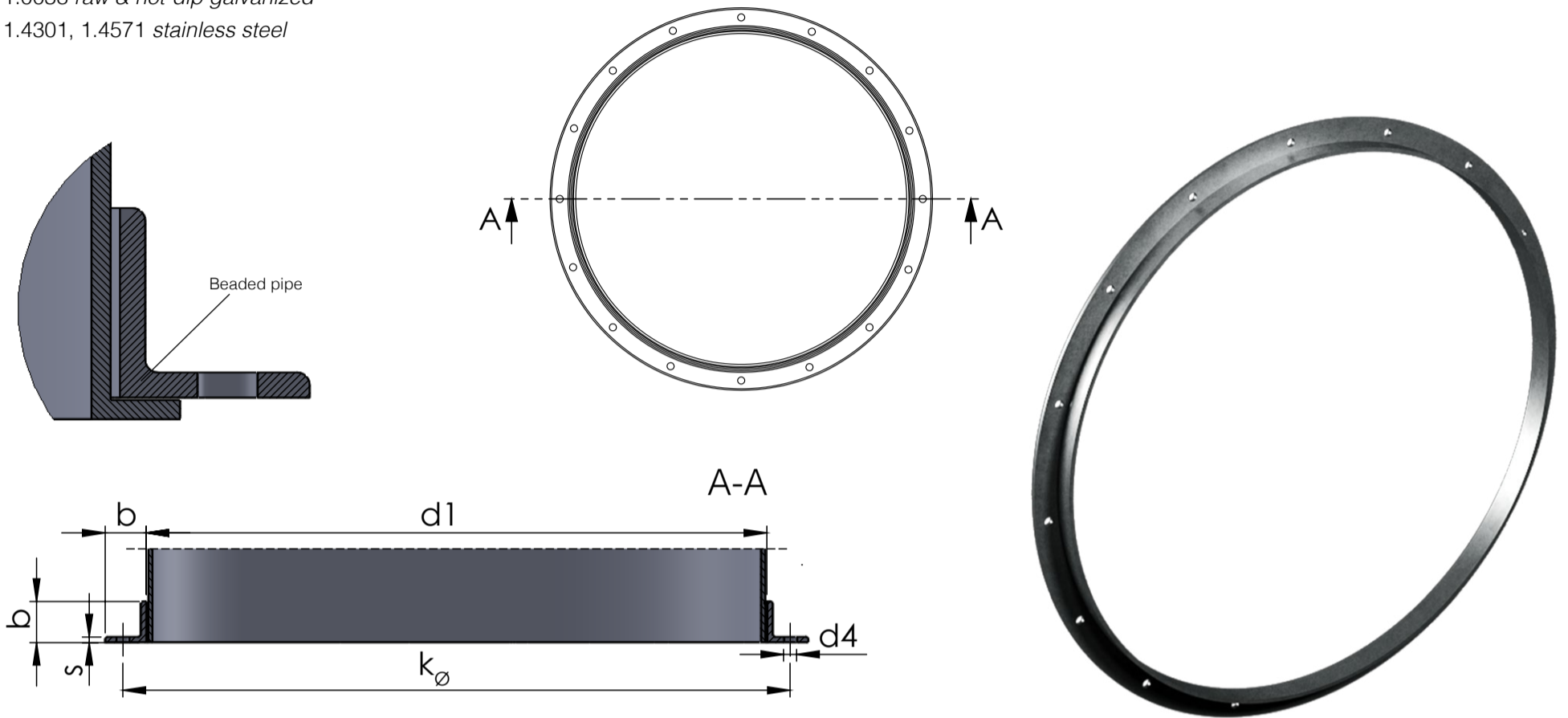
Angle flanges for HVAC System



Material

1.0038 raw & hot-dip galvanized

1.4301, 1.4571 stainless steel



DN nominal width	Inner diameter d1	Permissible tolerance	Material dimensions (b x s)	Perforation pitch k_{ϕ}	Number of perforations	Perforation diameter d4	Weight
140	146	1,5	25 x 25 x 4	176	6	7	0,78
150	155	1,5	25 x 25 x 4	185	6	7	0,82
160	164	1,5	25 x 25 x 4	194	6	7	0,86
180	183	1,5	25 x 25 x 4	213	6	7	0,94
200	205	1,5	25 x 25 x 4	235	6	7	1,04
224	229	1,5	25 x 25 x 4	259	6	7	1,15
250	256	1,5	25 x 25 x 4	286	6	7	1,28
280	288	1,5	30 x 30 x 5	322	8	9,5	2,16
300	305	1,5	30 x 30 x 5	339	8	9,5	2,27
315	322	1,5	30 x 30 x 5	356	8	9,5	2,39
350	355	1,5	30 x 30 x 5	394	8	9,5	2,61
355	361	1,5	30 x 30 x 5	395	8	9,5	2,65
400	404	1,5	30 x 30 x 5	438	12	9,5	2,94
450	453	1,5	30 x 30 x 5	487	12	9,5	3,28
500	507	2	30 x 30 x 5	541	12	9,5	3,64
560	569	2	35 x 35 x 5	605	16	11,5	4,84
600	605	2	35 x 35 x 5	641	16	11,5	5,13
630	638	2	35 x 35 x 5	674	16	11,5	5,39
710	715	2	35 x 35 x 5	751	16	11,5	6,01
800	801	2	35 x 35 x 5	837	24	11,5	6,7
900	898	2	35 x 35 x 5	934	24	11,5	7,48
1000	1007	2	35 x 35 x 5	1043	24	11,5	8,35
1120	1130	2	40 x 40 x 6	1174	24	11,5	12,81
1250	1267	2	40 x 40 x 6	1311	24	11,5	14,31
1400	1421	2	40 x 40 x 6	1465	24	11,5	16
1600	1593	2	40 x 40 x 6	1637	32	11,5	17,88
1800	1786	2	40 x 40 x 6	1830	32	11,5	19,99
2000	2003	2	40 x 40 x 6	2047	32	11,5	22,37

Prices for selected materials, selected sizes and factory standards are available on request.

Custom and non-standard factory sizes available on request.

Minimum order value: Net goods value of 40.00 euros. The prices do not include VAT, packaging and forwarding. All dimensions in mm. All weights in kg. Subject to errors and alterations.

We would be pleased to advise you on your individual terms and designs. Just give us a call.

✉ info@eskate.de ☎ +49 5734 66 66 6

DIN24155 Annex 4

July 1966 Issue

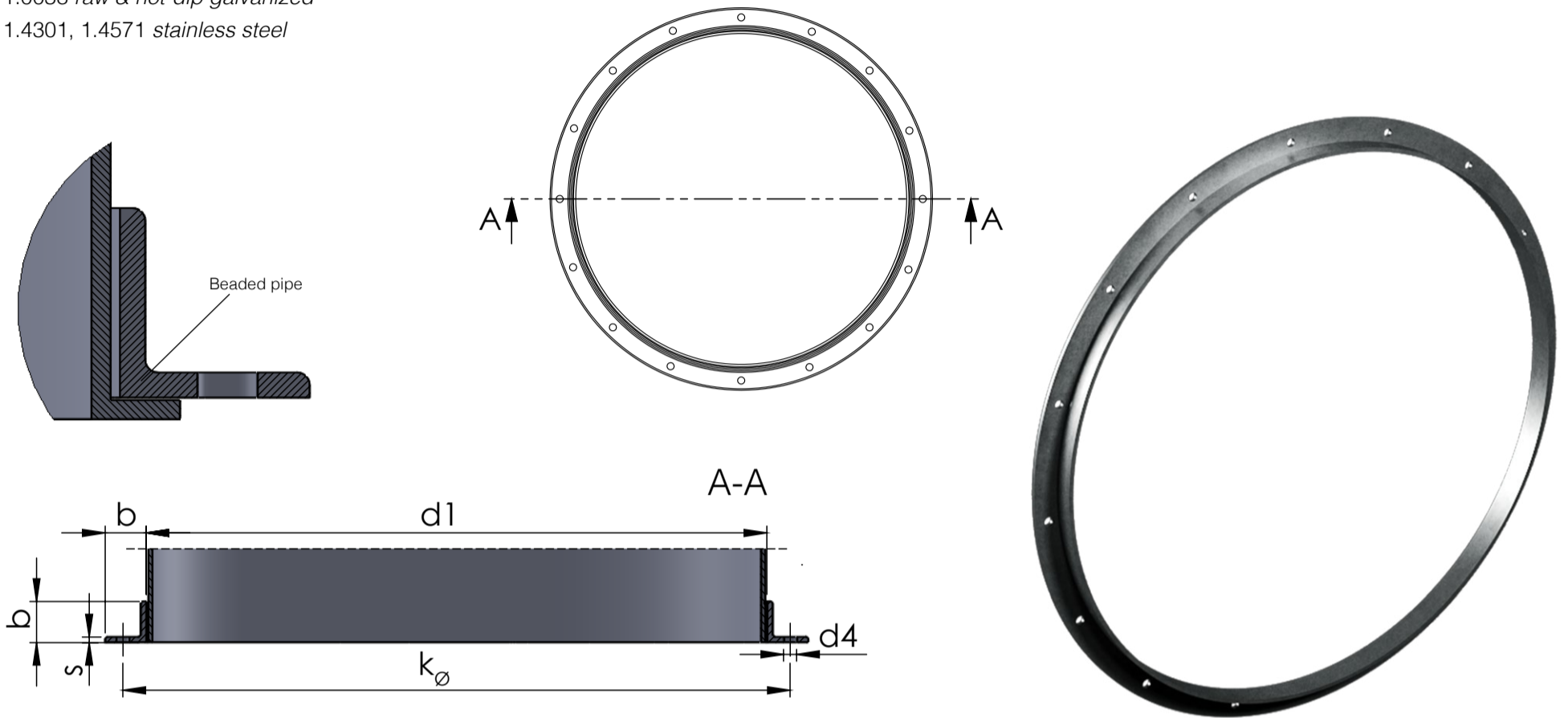
Angle flanges for HVAC System



Material

1.0038 raw & hot-dip galvanized

1.4301, 1.4571 stainless steel



DN nominal width	Inner diameter d1	Permissible tolerance	Material dimensions (b x s)	Perforation pitch k_{ϕ}	Number of perforations	Perforation diameter d4	Weight
140	146	1,5	35 x 35 x 5	182	8	11,5	1,45
150	155	1,5	35 x 35 x 5	191	8	11,5	1,52
160	164	1,5	35 x 35 x 5	200	8	11,5	1,59
180	183	1,5	35 x 35 x 5	219	8	11,5	1,75
200	205	1,5	35 x 35 x 5	241	8	11,5	1,92
224	229	1,5	35 x 35 x 5	265	8	11,5	2,12
250	256	1,5	35 x 35 x 5	292	8	11,5	2,33
280	288	1,5	40 x 40 x 6	332	8	11,5	3,59
300	305	1,5	40 x 40 x 6	349	8	11,5	3,78
315	322	1,5	40 x 40 x 6	366	8	11,5	3,96
350	355	1,5	40 x 40 x 6	399	8	11,5	4,33
355	361	1,5	40 x 40 x 6	405	8	11,5	4,39
400	404	1,5	40 x 40 x 6	448	12	11,5	4,86
450	453	1,5	40 x 40 x 6	497	12	11,5	5,4
500	507	1,5	40 x 40 x 6	551	12	11,5	5,99
560	569	2	50 x 50 x 6	629	16	14	8,61
600	605	2	50 x 50 x 6	665	16	14	9,11
630	638	2	50 x 50 x 6	698	16	14	9,57
710	715	2	50 x 50 x 6	775	16	14	10,64
800	801	2	50 x 50 x 6	861	24	14	11,84
900	898	2	50 x 50 x 6	958	24	14	13,19
1000	1007	2	50 x 50 x 6	1067	24	14	14,7
1120	1130	2	60 x 60 x 8	1200	32	18	26,3
1250	1267	2	60 x 60 x 8	1337	32	18	29,32
1400	1421	2	60 x 60 x 8	1491	32	18	32,73
1600	1593	2	60 x 60 x 8	1663	40	18	36,53
1800	1786	2	60 x 60 x 8	1856	40	18	40,79
2000	2003	2	60 x 60 x 8	2073	40	18	45,59

Prices for selected materials, selected sizes and factory standards are available on request.

Custom and non-standard factory sizes available on request.

Minimum order value: Net goods value of 40.00 euros. The prices do not include VAT, packaging and forwarding. All dimensions in mm. All weights in kg. Subject to errors and alterations.

We would be pleased to advise you on your individual terms and designs. Just give us a call.

✉ info@eskate.de ☎ +49 5734 66 66 6